

3D Door Protection Solution

... The IMS 100 *from*



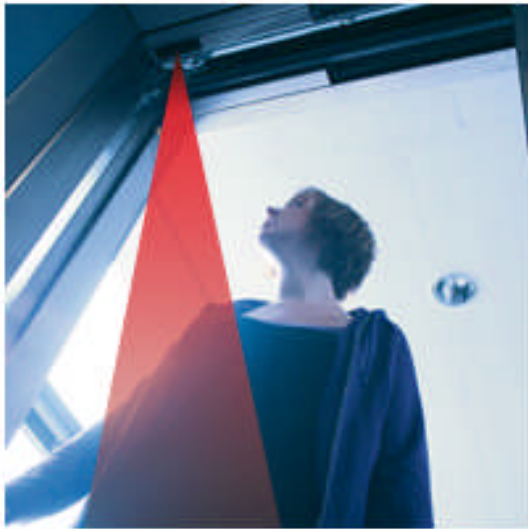
THE GLOBAL TRUE 3D DOOR DETECTOR

Enhanced Elevator Door Protection

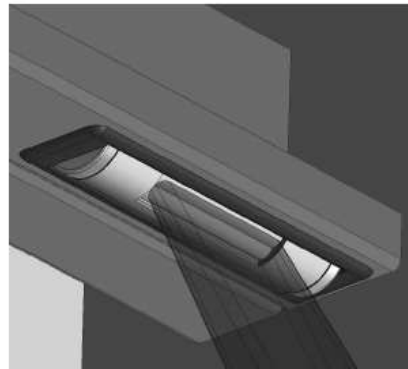
The IMS 100 Door Sensor utilises the latest **"Time Of Flight"** camera technology to monitor the entrance area of a lift.

Easily fitted within the lift car entrance and used with the Cedes Max74 range or other existing 2D door detectors or single beam sensors that utilise standard contact basic signalling.

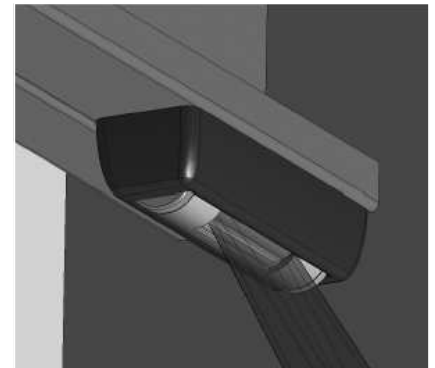
Ideal for both modernisation and new lifts



The IMS 100 Kit includes Flush & Surface Mounting options



Flush Mount IMS 100



Surface Mount IMS 100

GLOBAL'S SOLUTIONS

Global Solution A : Includes IMS100 Sensor, mounting kit, cable & power supply
(when used with an existing light curtain) Part Code: DD/108-175

Global Solution B : Includes IMS100 Sensor, mounting kit, cable, power supply & MAX 74H Door Detector
(comes complete with DDA Compliant full height light curtain - 12mm width)
Part Code: DD/108-175/DD/MX74H

Global Solution C : Includes IMS100 Sensor, mounting kit, cable, power supply & GLE-SLIM Door Detector
(comes complete with DDA Compliant full height light curtain - 9mm width)
Part Code: DD/108-175/DD/GLESLIM

Lead Time: currently 3 weeks.

3D Door Protection Solution

... The IMS 100 *from*



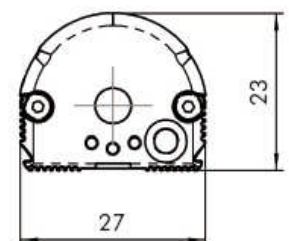
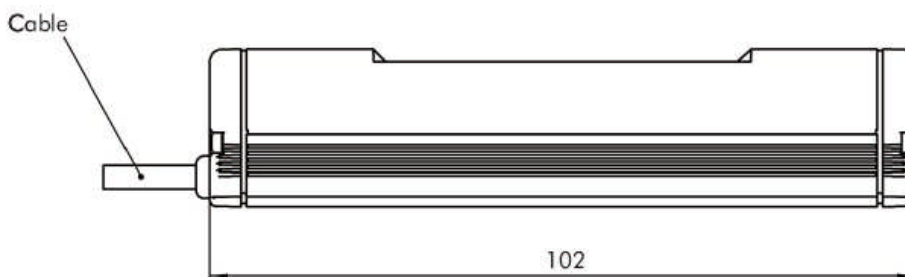
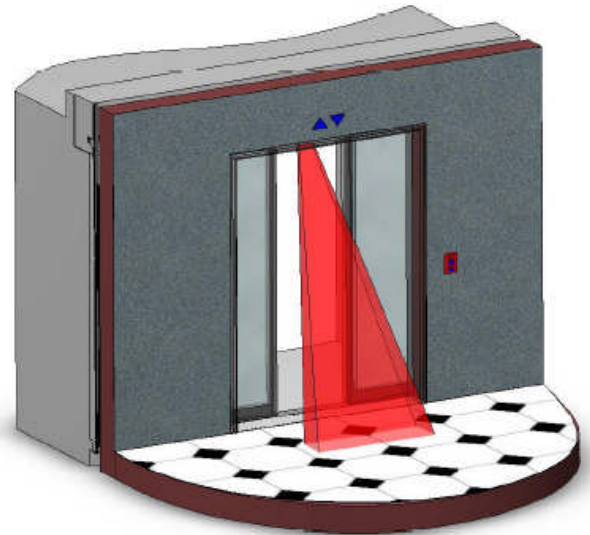
HOW IT WORKS

When lift doors open, the **IMS 100** instantly acquires an image of the area in front of the lift entrance and compares to reference images, detecting persons or objects moving in the field by reference technology.

False triggers that occur with other 3D Protection devices are avoided as stationary objects or persons at the landing entrance will be detected but ignored.

TECHNICAL

- Active area at 2m distance 900mm x 200mm
- For side opening and centre parting doors
- Flush or Surface mounting unit
- Compact size : 102 x 27 x 23mm
- High resolution—768 pixels
- Simple installation & integration
- Automatic recognition of doors closing & opening
- Low power function when doors are detected closed
- Protects against personal injury and property damage
- Distinguishes between stationary & approaching objects
- Complete with switching power interface - allows the IMS100 to run on 85-265 Vac or 24Vdc



For further details please contact our Sales Department and ask for a copy of our Global IMS 100 Technical Manual.