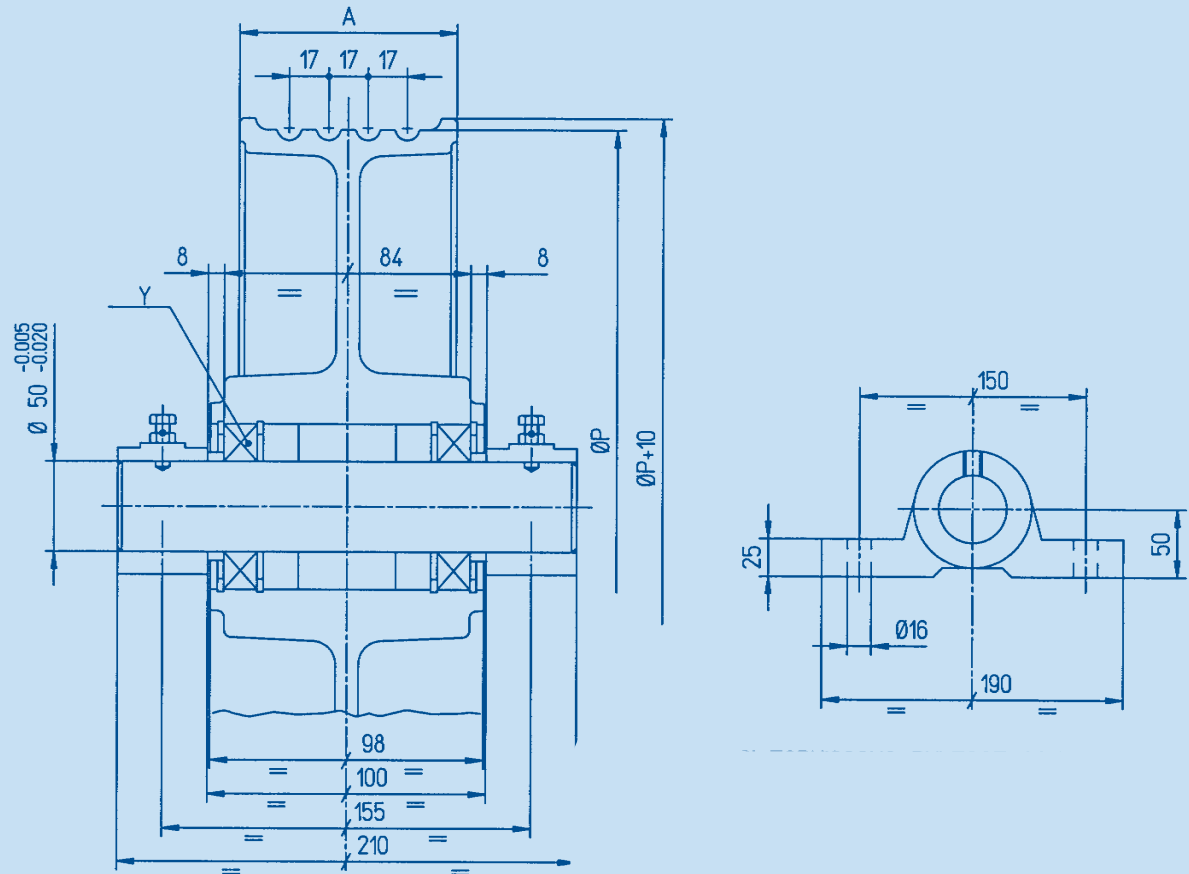


**PULEGGE DI RINVIO SU CUSCINETTI COMPLETE DI SUPPORTI
 DIVERTOR PULLEYS ON BALL BEARINGS WITH SUPPORTS
 POULIES DE RENVOI SUR COUSSINETS ÉQUIPÉS DE PALIER EXTÉRIEURS
 UMLENKSCHLEIBEN AUF LAGERN MIT HALTERN**



TAB. 40

| ARTICOLO ARTICLE | P | GOLE GROOVES GORGES RILLEN | Ø FUNE Ø ROPE | A | Y | CARICO MAX MAX. LOAD CHARGE MAXIMUM HÖCHSTLAST |
|---------------------|-----|-------------------------------------|------------------|----|------|---|
| T040063000 | 280 | 3 | 8 | 60 | 6010 | 1700 |
| T040064000 | 300 | 3 | | 60 | | 2000 daN (Kg) |
| T040065000 | 320 | 3 | 8 | 60 | 6010 | 1700 |
| T040066000 | | 4 | | 77 | | 2000 daN (Kg) |
| T040067000 | 360 | 3 | 9 | 60 | 6010 | 1680 |
| T040068000 | | 4 | | 77 | | 2100 daN (Kg) |
| T040069000 | 400 | 3 | 10 | 60 | 6210 | 1950 |
| T040070000 | | 4 | | 77 | | 2200 daN (Kg) |
| T040071000 | 450 | 3 | 11 | 60 | 6210 | 2000 |
| T040072000 | | 4 | | 77 | | 2250 daN (Kg) |
| T040073000 | 500 | 3 | 12 | 60 | 6210 | 2150 |
| T040074000 | | 4 | | 77 | | 2300 daN (Kg) |
| T040075000 | 550 | 3 | 11 | 60 | 6210 | 2200 |
| T040076000 | | 4 | | 77 | | 2400 daN (Kg) |
| T040077000 | 600 | 3 | 11 | 60 | 6210 | 2200 |
| T040078000 | | 4 | | 77 | | 2500 daN (Kg) |
| T040079000 | 650 | 3 | 11 | 60 | 6210 | 2200 |
| T040080000 | | 4 | | 77 | | 2500 daN (Kg) |
| T040081000 | 700 | 3 | 11 | 60 | 6210 | 2200 |
| T040082000 | | 4 | | 77 | | 2500 daN (Kg) |
| T040083000 | 750 | 3 | 11 | 60 | 6210 | 2200 |
| T040084000 | | 4 | | 77 | | 2500 daN (Kg) |



A RICHIESTA SI FORNISCONO PULEGGE CON CARATTERISTICHE DIVERSE (PASSO \emptyset FUNI, N. GOLE E CARICO)
UPON REQUEST ARE AVAILABLE PULLEYS WITH DIFFERENT FEATURES (PITCH \emptyset GROOVES NO. AND LOADS)

SUR DEMANDE, ON FOURNIT DES POULIES AVEC DES CARACTÉRISTIQUES DIFFÉRENTES
(DISTANCE DE GORGE À GORGE, DIAMÈTRE CÂBLES, NOMBRE DE GORGES ET CHARGE)

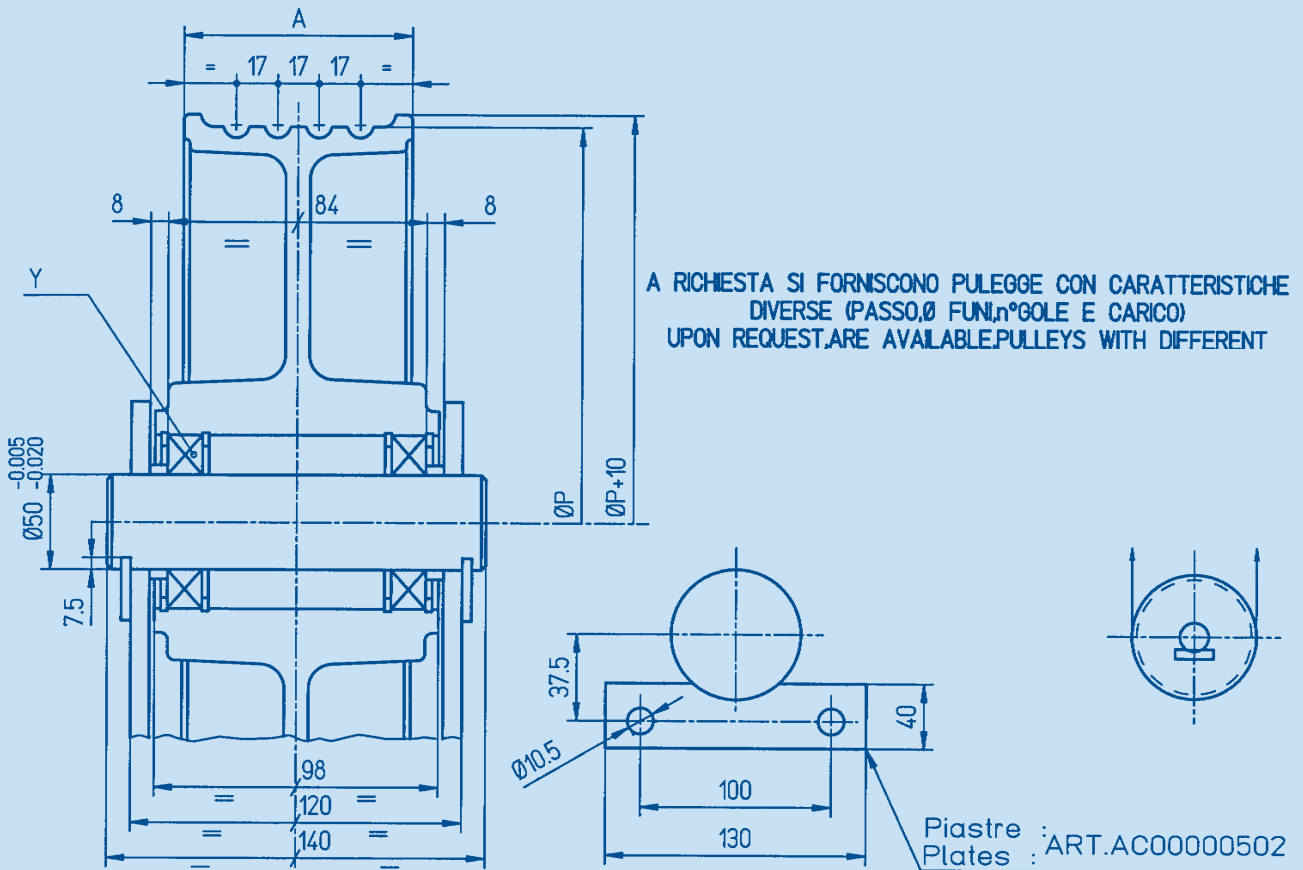
AUF WUNSCH SIND SCHEIBEN MIT ANDEREN MERKMALEN ERHÄLTlich
(RILLENABSTAND, SEILDURCHMESSER, RILLENZAHL UND LAST)

**PULEGGE DI RINVIO SU CUSCINETTI CON ALBERI PER PIASTRE
 DIVERTOR PULLEYS ON BALL BEARINGS WITH SHAFT FOR KEEPER PLATES
 POULIES DE RENVOI SUR COUSSINETS AVEC ARBRES POUR PLAQUES
 UMLENKSCHLEIBEN AUF LAGERN MIT WELLEN FÜR PLATTEN**



TAB. 50

| ARTICOLO ARTICLE | P | GOLE GROOVES GORGES RILLEN | Ø FUNE Ø ROPE | A | Y | CARICO MAX MAX. LOAD CHARGE MAXIMUM HÖCHSTLAST |
|---------------------|-----|-------------------------------------|------------------|----|------|---|
| T050085000 | 280 | 3 | 8 | 60 | 6010 | 1700 |
| T050086000 | 300 | 3 | | 60 | | 2000 daN (Kg) |
| T050087000 | 320 | 3 | 8 | 60 | 6010 | 1700 |
| T050088000 | | 4 | | 77 | | 2000 daN (Kg) |
| T050089000 | 360 | 3 | 9 | 60 | 6010 | 1680 |
| T050090000 | | 4 | | 77 | | 2100 daN (Kg) |
| T050091000 | 400 | 3 | 10 | 60 | 6210 | 1950 |
| T050092000 | | 4 | | 77 | | 2100 daN (Kg) |
| T050093000 | 450 | 3 | 11 | 60 | 6210 | 2000 |
| T050094000 | | 4 | | 77 | | 2200 daN (Kg) |
| T050095000 | 500 | 3 | 12 | 60 | 6210 | 2150 |
| T050096000 | | 4 | | 77 | | 2300 daN (Kg) |
| T050097000 | 550 | 3 | 11 | 60 | 6210 | 2200 |
| T050098000 | | 4 | | 77 | | 2400 daN (Kg) |
| T050099000 | 600 | 3 | 11 | 60 | 6210 | 2200 |
| T050100000 | | 4 | | 77 | | 2500 daN (Kg) |
| T050101000 | 650 | 3 | 11 | 60 | 6210 | 2300 |
| T050102000 | | 4 | | 77 | | 2500 daN (Kg) |
| T050103000 | 700 | 3 | 11 | 60 | 6210 | 2300 |
| T050104000 | | 4 | | 77 | | 2500 daN (Kg) |
| T050105000 | 750 | 3 | 11 | 60 | 6210 | 2300 |
| T050106000 | | 4 | | 77 | | 2500 daN (Kg) |

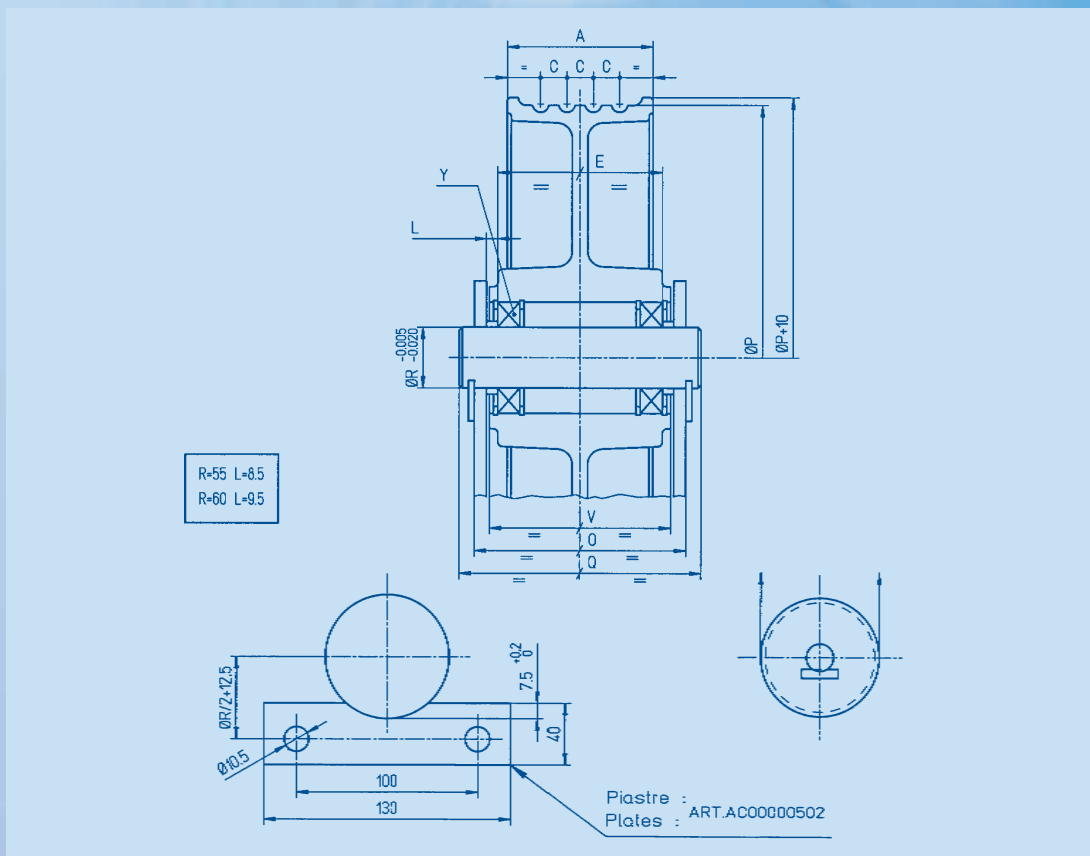


**A RICHIESTA SI FORNISCONO PULEGGE CON CARATTERISTICHE DIVERSE (PASSO Ø FUNI, N. GOLE E CARICO)
UPON REQUEST ARE AVAILABLE PULLEYS WITH DIFFERENT FEATURERS (PITCH Ø GROOVES NO. AND LOADS)**

**SUR DEMANDE, ON FOURNIT DES POULIES AVEC DES CARACTÉRISTIQUES DIFFÉRENTES
(DISTANCE DE GORGE À GORGE, DIAMÈTRE CÂBLES, NOMBRE DE GORGES ET CHARGE)**

**AUF WUNSCH SIND SCHEIBEN MIT ANDEREN MERKMALEN ERHÄLTICH
(RILLENABSTAND, SEILDURCHMESSER, RILLENZAHL UND LAST)**

**PULEGGE DI RINVIO AD ALTA PORTATA SU CUSCINETTI CON ALBERO PER PIASTRE
 HIGH-LOAD CAPACITY DIVERTOR PULLEYS ON BALL BEARINGS WITH SHAFT FOR KEEPER PLATES
 POULIES DE RENVOI À HAUTE PORTÉE SUR COUSSINETS AVEC ARBRE POUR PLAQUES
 UMLENKSCHIEBEN MIT HOHER TRAGFÄHIGKEIT AUF LAGERN MIT WELLE FÜR PLATTEN**



**A RICHIESTA SI FORNISCONO PULEGGE CON CARATTERISTICHE DIVERSE (PASSO Ø FUNI, N. GOLE E CARICO)
 UPON REQUEST ARE AVAILABLE PULLEYS WITH DIFFERENT FEATURES (PITCH Ø GROOVES NO. AND LOADS)**

**SUR DEMANDE, ON FOURNIT DES POULIES AVEC DES CARACTÉRISTIQUES DIFFÉRENTES
 (DISTANCE DE GORGE À GORGE, DIAMÈTRE CÂBLES, NOMBRE DE GORGES ET CHARGE)**

**AUF WUNSCH SIND SCHEIBEN MIT ANDEREN MERKMALEN ERHÄLTICH
 (RILLENABSTAND, SEILDURCHMESSER, RILLENZAHL UND LAST)**

TAB. 60

| ARTICOLO ARTICLE | | P | O | GOLE GROOVES GORGES RILLEN | Ø FUNE Ø ROPE | A | C | E | V | R | Q | Y | CARICO MAX MAX. LOAD CHARGE MAXIMUM HÖCHSTLAST |
|--|--------------------------|-----|------------|-------------------------------------|------------------|------------------|----|------------|------------|----------|------------|--------------|---|
| T060109000 T060110000 T060111000 T060112000 | | 320 | 146 | 3 4 5 6 | 8 | 94 111 | 17 | 104 | 118 | 55 | 170 | 6011 | 2200 daN (Kg) 2800 daN (Kg) |
| T060113000 T060114000 T060115000 T060116000 | | 360 | 146 | 3 4 5 6 | 9 | 94 111 | 17 | 104 | 118 | 55 | 170 | 6011 | 2630 daN (Kg) 3230 daN (Kg) |
| T060117000 T060118000 T060119000 T060120000 | | 400 | 146 | 3 4 5 6 | 10 | 94 111 | 17 | 104 | 118 | 55 | 170 | 6211 | 3150 daN (Kg) 3750 daN (Kg) |
| T060121000 T060122000 T060123000 T060124000 | | 450 | 146 | 3 4 5 6 | 11 | 94 111 | 17 | 104 | 118 | 55 | 170 | 6211 | 3930 daN (Kg) 4730 daN (Kg) |
| T060125011 T060126011 T060127011 T060128011 | 1 2 1 2 1 2 1 2 | 500 | 146 | 3 4 5 6 | 11 - 12 | 94 111 | 17 | 104 | 118 | 55 | 170 | 6211 | 3950 daN (Kg) 4750 daN (Kg) |
| T060129000 T060130000 T060131000 T060132000 | | 500 | 146 166 | 3 4 5 6 | 12 | 94 111 130 | 20 | 104 122 | 118 138 | 55 60 | 170 190 | 6211 6212 | 5100 daN (Kg) 6200 daN (Kg) |
| T060700000 T060701000 T060702000 T060703000 | | 520 | 146 | 3 4 5 6 | 11 | 94 111 | 17 | 104 | 118 | 55 | 170 | 6211 | 3950 daN (Kg) 4750 daN (Kg) |
| T060704012 T060705012 T060706012 T060707012 | 13 13 13 13 | 520 | 146 166 | 3 4 5 6 | 12 - 13 | 94 111 130 | 20 | 104 122 | 118 138 | 55 60 | 170 190 | 6211 6212 | 5100 daN (Kg) 6200 daN (Kg) |
| T060133000 T060134000 T060135000 T060136000 | | 550 | 146 | 3 4 5 6 | 11 | 94 111 | 17 | 104 | 118 | 55 | 170 | 6211 | 3950 daN (Kg) 4750 daN (Kg) |
| T060137012 T060138012 T060139012 T060140012 | 13 13 13 13 | 550 | 146 166 | 3 4 5 6 | 12 - 13 | 94 111 130 | 20 | 104 122 | 118 138 | 55 60 | 170 190 | 6211 6212 | 5230 daN (Kg) 6330 daN (Kg) |
| T060141000 T060142000 T060143000 T060144000 | | 600 | 146 | 3 4 5 6 | 11 | 94 111 | 17 | 104 | 118 | 55 | 170 | 6211 | 3950 daN (Kg) 4750 daN (Kg) |
| T060145012 T060146012 T060147012 T060148012 | 13 13 13 13 | 600 | 146 166 | 3 4 5 6 | 12 - 13 | 94 111 130 | 20 | 104 122 | 118 138 | 55 60 | 170 190 | 6211 6212 | 5230 daN (Kg) 6330 daN (Kg) |
| T060149000 T060150000 T060151000 T060152000 | | 650 | 146 | 3 4 5 6 | 11 | 94 111 | 17 | 104 | 118 | 55 | 170 | 6211 | 3950 daN (Kg) 4750 daN (Kg) |
| T060153012 T060154012 T060155012 T060156012 | 13 13 13 13 | 650 | 146 166 | 3 4 5 6 | 12 - 13 | 111 130 | 20 | 104 122 | 118 138 | 55 60 | 170 190 | 6211 6212 | 5230 daN (Kg) 6330 daN (Kg) |
| T060157000 T060158000 T060159000 T060160000 | | 700 | 146 | 3 4 5 6 | 11 | 94 111 | 17 | 104 | 118 | 55 | 170 | 6211 | 3950 daN (Kg) 4750 daN (Kg) |
| T060161012 T060162012 T060163012 T060164012 | 13 13 13 13 | 700 | 146 166 | 3 4 5 6 | 12 - 13 | 94 111 130 | 20 | 104 122 | 118 138 | 55 60 | 170 190 | 6211 6212 | 5230 daN (Kg) 6330 daN (Kg) |
| T060165000 T060166000 T060167000 T060168000 | | 750 | 146 | 3 4 5 6 | 11 | 111 | 17 | 104 | 118 | 55 | 170 | 6211 | 3950 daN (Kg) 4750 daN (Kg) |
| T060169012 T060170012 T060171012 T060172012 | 13 13 13 13 | 750 | 146 166 | 3 4 5 6 | 12 - 13 | 111 130 | 20 | 104 122 | 118 138 | 55 60 | 170 190 | 6211 6212 | 5230 daN (Kg) 6330 daN (Kg) |
| T060173000 T060174000 T060175000 T060176000 | | 800 | 146 | 3 4 5 6 | 11 | 94 111 | 17 | 104 | 118 | 55 | 170 | 6211 | 3950 daN (Kg) 4750 daN (Kg) |
| T060177012 T060178012 T060179012 T060180012 | 13 13 13 13 | 800 | 146 166 | 3 4 5 6 | 12 - 13 | 94 111 130 | 20 | 104 122 | 118 138 | 55 60 | 170 190 | 6211 6212 | 5230 daN (Kg) 6330 daN (Kg) |



Montanari Giulio & C.

ORGANI E COMPONENTI PER ASCENSORI
GEARS AND COMPONENTS FOR LIFTS



TAB. 80

| ARTICOLO ARTICLE | | P | S | D | Z | GOLE GROOVES GORGES RILLEN | Ø FUNE Ø ROPE | A | C | E | V | R | Y | CARICO MAX MAX. LOAD CHARGE MAXIMUM HÖCHSTLAST |
|--|----------------------|-----|------------|------------|------------|-------------------------------------|------------------|------------------|----|------------|------------|----------|--------------|---|
| T080253000 T080254000 T080255000 T080256000 | | 320 | 180 | 240 | 120 | 3 4 5 6 | 8 | 94 111 | 17 | 104 | 118 | 55 | 6011 | 2200 daN (Kg) 2800 daN (Kg) |
| T080257000 T080258000 T080259000 T080260000 | | 360 | 180 | 240 | 120 | 3 4 5 6 | 9 | 94 111 | 17 | 104 | 118 | 55 | 6011 | 2630 daN (Kg) 3230 daN (Kg) |
| T080261000 T080262000 T080263000 T080264000 | | 400 | 180 | 240 | 120 | 3 4 5 6 | 10 | 94 111 | 17 | 104 | 118 | 55 | 6211 | 3150 daN (Kg) 3750 daN (Kg) |
| T080265000 T080266000 T080267000 T080268000 | | 450 | 180 | 240 | 120 | 3 4 5 6 | 11 | 94 111 | 17 | 104 | 118 | 55 | 6211 | 3930 daN (Kg) 4730 daN (Kg) |
| T080269011 T080270011 T080271011 T080272011 | 12 12 12 12 | 500 | 180 | 240 | 120 | 3 4 5 6 | 11 - 12 | 94 111 | 17 | 104 | 118 | 55 | 6211 | 3950 daN (Kg) 4750 daN (Kg) |
| T080273000 T080274000 T080275000 T080276000 | | 500 | 180 200 | 240 260 | 120 140 | 3 4 5 6 | 12 | 94 111 130 | 20 | 104 122 | 118 138 | 55 60 | 6211 6212 | 5100 daN (Kg) 6200 daN (Kg) |
| T080716000 T080717000 T080718000 T080719000 | | 520 | 180 | 240 | 120 | 3 4 5 6 | 11 | 94 111 | 17 | 104 | 118 | 55 | 6211 | 3950 daN (Kg) 4750 daN (Kg) |
| T080720012 T080721012 T080722012 T080730012 | 13 13 13 13 | 520 | 180 200 | 240 260 | 120 140 | 3 4 5 6 | 12 - 13 | 94 111 130 | 20 | 104 122 | 118 138 | 55 60 | 6211 6212 | 5100 daN (Kg) 6200 daN (Kg) |
| T080277000 T080278000 T080279000 T080280000 | | 550 | 180 | 240 | 120 | 3 4 5 6 | 11 | 94 111 | 17 | 104 | 118 | 55 | 6211 | 3950 daN (Kg) 4750 daN (Kg) |
| T080281012 T080282012 T080283012 T080284012 | 13 13 13 13 | 550 | 180 200 | 240 260 | 120 140 | 3 4 5 6 | 12 - 13 | 94 111 130 | 20 | 104 122 | 118 138 | 55 60 | 6211 6212 | 5230 daN (Kg) 6330 daN (Kg) |
| T080285000 T080286000 T080287000 T080288000 | | 600 | 180 | 240 | 120 | 3 4 5 6 | 11 | 94 111 | 17 | 104 | 118 | 55 | 6211 | 3950 daN (Kg) 4750 daN (Kg) |
| T080289012 T080290012 T080291012 T080292012 | 13 13 13 13 | 600 | 180 200 | 240 260 | 120 140 | 3 4 5 6 | 12 - 13 | 94 111 130 | 20 | 104 122 | 118 138 | 55 60 | 6211 6212 | 5230 daN (Kg) 6330 daN (Kg) |
| T080293000 T080294000 T080295000 T080296000 | | 650 | 180 | 240 | 120 | 3 4 5 6 | 11 | 94 111 | 17 | 104 | 118 | 55 | 6211 | 3950 daN (Kg) 4750 daN (Kg) |
| T080297012 T080298012 T080299012 T080300012 | 13 13 13 13 | 650 | 180 200 | 240 260 | 120 140 | 3 4 5 6 | 12 - 13 | 111 130 | 20 | 104 122 | 118 138 | 55 60 | 6211 6212 | 5230 daN (Kg) 6330 daN (Kg) |
| T080301000 T080302000 T080303000 T080304000 | | 700 | 180 | 240 | 120 | 3 4 5 6 | 11 | 94 111 | 17 | 104 | 118 | 55 | 6211 | 3950 daN (Kg) 4750 daN (Kg) |
| T080305012 T080306012 T080307012 T080308012 | 13 13 13 13 | 700 | 180 200 | 240 260 | 120 140 | 3 4 5 6 | 12 - 13 | 94 111 130 | 20 | 104 122 | 118 138 | 55 60 | 6211 6212 | 5230 daN (Kg) 6330 daN (Kg) |
| T080309000 T080100000 T080110000 T080120000 | | 750 | 180 | 240 | 120 | 3 4 5 6 | 11 | 111 | 17 | 104 | 118 | 55 | 6211 | 3950 daN (Kg) 4750 daN (Kg) |
| T080313012 T080314012 T080315012 T080316012 | 13 13 13 13 | 750 | 180 200 | 240 260 | 120 140 | 3 4 5 6 | 12 - 13 | 111 130 | 20 | 104 122 | 118 138 | 55 60 | 6211 6212 | 5230 daN (Kg) 6330 daN (Kg) |
| T080317000 T080318000 T080319000 T080312000 | | 800 | 180 | 240 | 120 | 3 4 5 6 | 11 | 94 111 | 17 | 104 | 118 | 55 | 6211 | 3950 daN (Kg) 4750 daN (Kg) |
| T080321012 T080322012 T080323012 T080324012 | 13 13 13 13 | 800 | 180 200 | 240 260 | 120 140 | 3 4 5 6 | 12 - 13 | 94 111 130 | 20 | 104 122 | 118 138 | 55 60 | 6211 6212 | 5230 daN (Kg) 6330 daN (Kg) |



Montanari Giulio & C.

ARGANI E COMPONENTI PER ASCENSORI
GEARS AND COMPONENTS FOR LIFTS

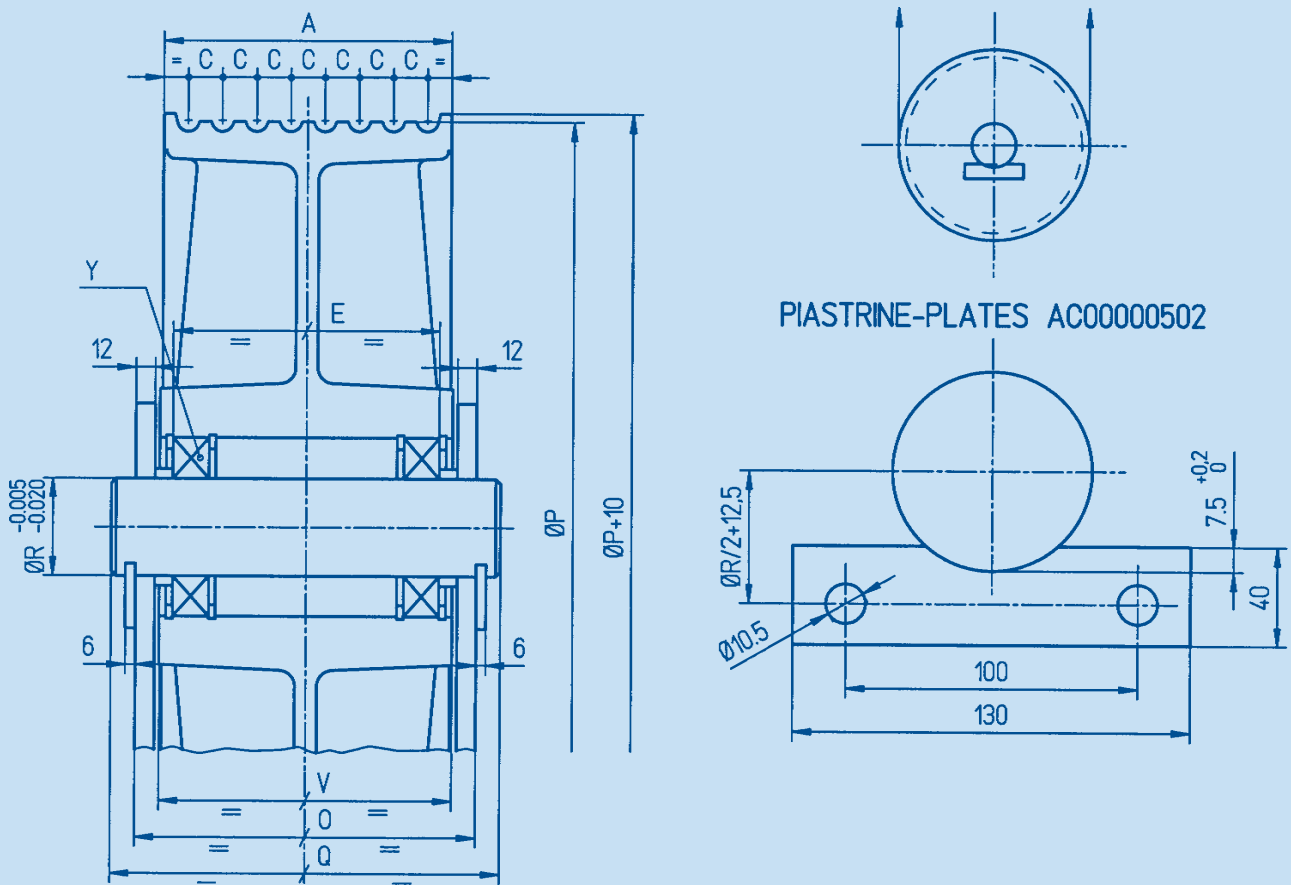


**PULEGGE DI RINVIO AD ALTA PORTATA SU CUSCINETTI CON ALBERO PER PIASTRE
HIGH-LOAD CAPACITY DIVERTOR PULLEYS ON BALL BEARINGS WITH SHAFT FOR KEEPER PLATES
POULIES DE RENVOI À HAUTE PORTÉE SUR COUSSINETS AVEC ARBRE POUR PLAQUES
UMLENKSCHIEBEN MIT HOHER TRAGFÄHIGKEIT AUF LAGERN MIT WELLE FÜR PLATTEN**



TAB. 83

| ARTICOLO ARTICLE | P | O | GOLE GROOVES GORGES RILLEN | Ø FUNE Ø ROPE | A | C | E | V | Q | R | Y | CARICO MAX MAX. LOAD CHARGE MAXIMUM HÖCHSTLAST |
|---------------------|-----|-----|-------------------------------------|------------------|-----|----|-----|-----|-----|----|------|---|
| T083407010 | 400 | 186 | 7 | 10 | 154 | 17 | 144 | 158 | 210 | 55 | 6211 | 5000 daN (Kg) |
| T083408010 | | | 8 | | | | | | | | | |
| T083457011 | 450 | 186 | 7 | 11 | 154 | 17 | 144 | 158 | 210 | 55 | 6211 | 5000 daN (Kg) |
| T083458011 | | | 8 | | | | | | | | | |
| T083507012 | 500 | 186 | 7 | 12 | 154 | 17 | 142 | 158 | 210 | 60 | 6212 | 6300 daN (Kg) |
| T083508012 | | | 8 | | | | | | | | | |
| T083507112 | | 210 | 7 | 12 | 177 | 20 | 164 | 180 | 240 | 60 | 6212 | 6300 daN (Kg) |
| T083508112 | | | 8 | | | | | | | | | |
| T083527013 | 520 | 210 | 7 | 13 | 177 | 20 | 164 | 180 | 240 | 60 | 6212 | 6300 daN (Kg) |
| T083528013 | | | 8 | | | | | | | | | |
| T083557013 | 550 | 210 | 7 | 13 | 177 | 20 | 164 | 180 | 240 | 60 | 6212 | 6300 daN (Kg) |
| T083558013 | | | 8 | | | | | | | | | |
| T083607013 | 600 | 210 | 7 | 13 | 177 | 20 | 164 | 180 | 240 | 60 | 6212 | 6300 daN (Kg) |
| T083608013 | | | 8 | | | | | | | | | |
| T083657013 | 650 | 210 | 7 | 13 | 177 | 20 | 164 | 180 | 240 | 60 | 6212 | 6300 daN (Kg) |
| T083658013 | | | 8 | | | | | | | | | |
| T083707013 | 700 | 210 | 7 | 13 | 177 | 20 | 164 | 180 | 240 | 60 | 6212 | 6300 daN (Kg) |
| T083708013 | | | 8 | | | | | | | | | |
| T083757013 | 750 | 210 | 7 | 13 | 177 | 20 | 164 | 180 | 240 | 60 | 6212 | 6300 daN (Kg) |
| T083758013 | | | 8 | | | | | | | | | |
| T083807013 | 800 | 210 | 7 | 13 | 177 | 20 | 164 | 180 | 240 | 60 | 6212 | 6300 daN (Kg) |
| T083808013 | | | 8 | | | | | | | | | |



**A RICHIESTA SI FORNISCONO PULEGGE CON CARATTERISTICHE DIVERSE (PASSO Ø FUNI, N. GOLE E CARICO)
UPON REQUEST ARE AVAILABLE PULLEYS WITH DIFFERENT FEATURES (PITCH Ø GROOVES NO. AND LOADS)**

**SUR DEMANDE, ON FOURNIT DES POULIES AVEC DES CARACTÉRISTIQUES DIFFÉRENTES
(DISTANCE DE GORGE À GORGE, DIAMÈTRE CÂBLES, NOMBRE DE GORGES ET CHARGE)**

**AUF WUNSCH SIND SCHEIBEN MIT ANDEREN MERKMALEN ERHÄLTICH
(RILLENABSTAND, SEILDURCHMESSER, RILLENZAHL UND LAST)**

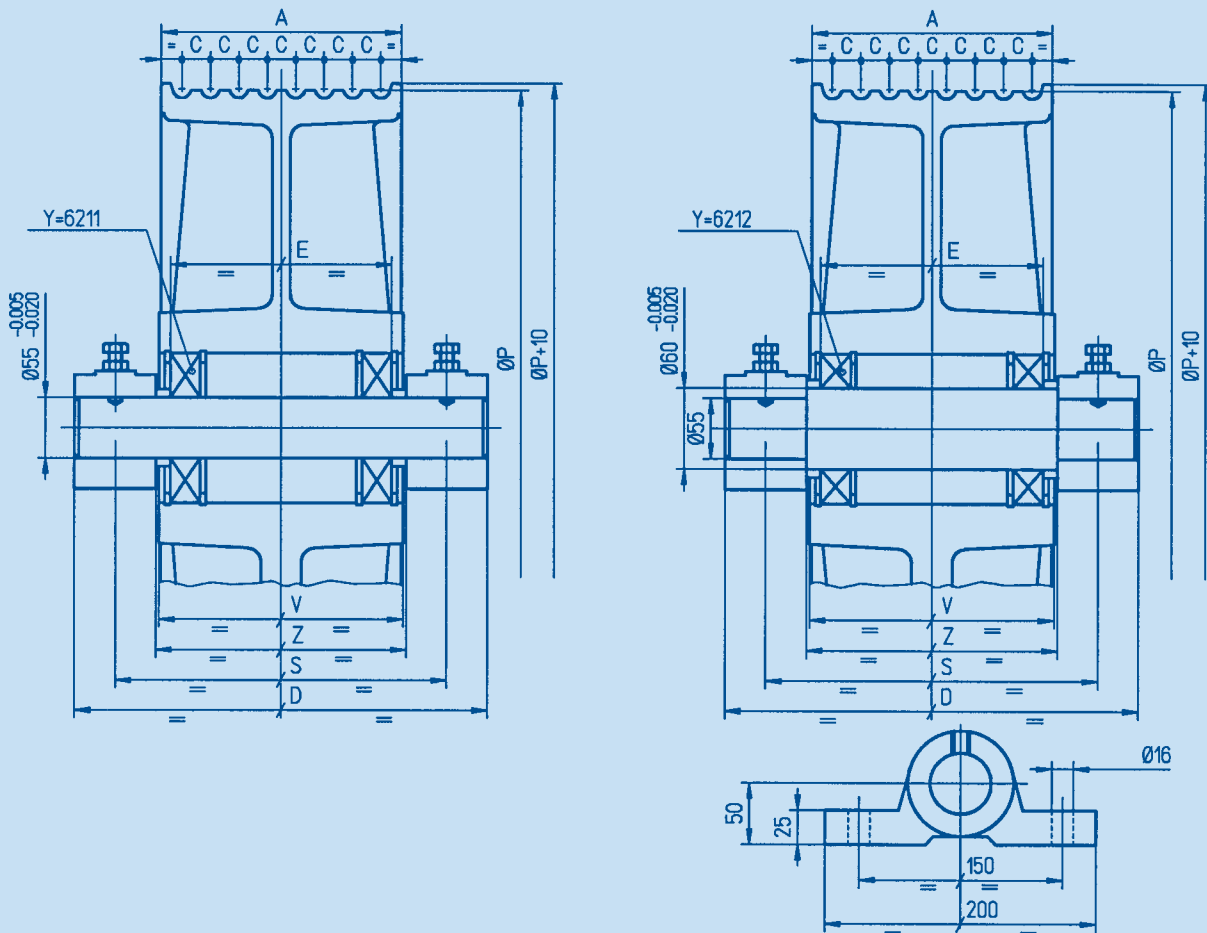


**PULEGGE DI RINVIO SU CUSCINETTI COMPLETE DI SUPPORTI
 DIVERTOR PULLEYS ON BALL BEARINGS WITH SUPPORTS
 POULIES DE RENVOI SUR COUSSINETS ÉQUIPÉS DE PALIER EXTÉRIEURS
 UMLENKSCHLEIBEN AUF LAGERN MIT HALTERN**



TAB. 86

| ARTICOLO ARTICLE | P | S | D | Z | GOLE GROOVES GORGES RILLEN | Ø FUNE | A | C | E | V | R | Y | CARICO MAX MAX. LOAD CHARGE MAXIMUM HÖCHSTLAST |
|---------------------|-----|-----|-----|-----|-------------------------------------|--------|-----|----|-----|-----|----|------|---|
| | | | | | | Ø ROPE | | | | | | | |
| T086407010 | 400 | 223 | 283 | 163 | 7 | 10 | 154 | 17 | 144 | 158 | 55 | 6211 | 5000 daN (Kg) |
| T086408010 | | | | | 8 | | | | | | | | |
| T086457011 | 450 | 223 | 283 | 163 | 7 | 11 | 154 | 17 | 144 | 158 | 55 | 6211 | 5000 daN (Kg) |
| T086458011 | | | | | 8 | | | | | | | | |
| T086507012 | 500 | 223 | 283 | 163 | 7 | 12 | 154 | 17 | 142 | 158 | 60 | 6212 | 6300 daN (Kg) |
| T086508012 | | | | | 8 | | | | | | | | |
| T086507112 | | 245 | 305 | 185 | 7 | 12 | 177 | 20 | 164 | 180 | 60 | 6212 | 6300 daN (Kg) |
| T086508112 | | | | | 8 | | | | | | | | |
| T086527013 | 520 | 245 | 305 | 185 | 7 | 13 | 177 | 20 | 164 | 180 | 60 | 6212 | 6300 daN (Kg) |
| T083528013 | | | | | 8 | | | | | | | | |
| T086557013 | 550 | 245 | 305 | 185 | 7 | 13 | 177 | 20 | 164 | 180 | 60 | 6212 | 6300 daN (Kg) |
| T086558013 | | | | | 8 | | | | | | | | |
| T086607013 | 600 | 245 | 305 | 185 | 7 | 13 | 177 | 20 | 164 | 180 | 60 | 6212 | 6300 daN (Kg) |
| T086608013 | | | | | 8 | | | | | | | | |
| T086657013 | 650 | 245 | 305 | 185 | 7 | 13 | 177 | 20 | 164 | 180 | 60 | 6212 | 6300 daN (Kg) |
| T086658013 | | | | | 8 | | | | | | | | |
| T086707013 | 700 | 245 | 305 | 185 | 7 | 13 | 177 | 20 | 164 | 180 | 60 | 6212 | 6300 daN (Kg) |
| T086708013 | | | | | 8 | | | | | | | | |
| T086757013 | 750 | 245 | 305 | 185 | 7 | 13 | 177 | 20 | 164 | 180 | 60 | 6212 | 6300 daN (Kg) |
| T086758013 | | | | | 8 | | | | | | | | |
| T086807013 | 800 | 245 | 305 | 185 | 7 | 13 | 177 | 20 | 164 | 180 | 60 | 6212 | 6300 daN (Kg) |
| T086808013 | | | | | 8 | | | | | | | | |



**A RICHIESTA SI FORNISCONO PULEGGE CON CARATTERISTICHE DIVERSE (PASSO Ø FUNI, N. GOLE E CARICO)
UPON REQUEST ARE AVAILABLE PULLEYS WITH DIFFERENT FEATURS (PITCH Ø GROOVES NO. AND LOADS)**

**SUR DEMANDE, ON FOURNIT DES POULIES AVEC DES CARACTÉRISTIQUES DIFFÉRENTES
(DISTANCE DE GORGE À GORGE, DIAMÈTRE CÂBLES, NOMBRE DE GORGES ET CHARGE)**

**AUF WUNSCH SIND SCHEIBEN MIT ANDEREN MERKMALEN ERHÄLTICH
(RILLENABSTAND, SEILDURCHMESSER, RILLENZAHL UND LAST)**

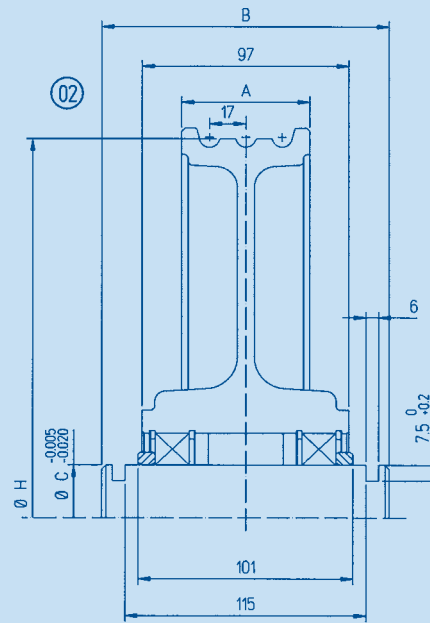
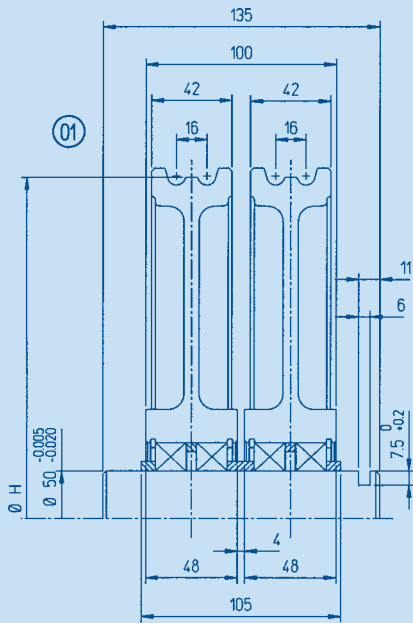
PULEGGE CIECHE PER IMPIANTI OLEODINAMICI
SOLID PULLEYS FOR OLEODYNAMIC SYSTEMS
POULIES PLEINES POUR INSTALLATIONS OLÉODYNAMIQUES
VOLLSCHLEIBEN FÜR HYDRAULISCHE ANLAGEN



01

TAB. 101

| ARTICOLO ARTICLE | Ø H | GOLE GROOVES GORGES RILLEN | Ø FUNE Ø ROPE | CARICO MAX MAX. LOAD CHARGE MAXIMUM HÖCHSTLAST |
|---------------------|-----|-------------------------------------|------------------|---|
| T101543000 | 320 | 2 | 8 | 2500 daN (Kg) |
| T101542000 | 360 | 2 | 9 | 2500 daN (Kg) |
| T101541000 | 400 | 2 | 10 | 2500 daN (Kg) |
| T101735000 | 450 | 2 | 11 | 2500 daN (Kg) |
| T101736000 | 500 | 2 | 12 | 2500 daN (Kg) |



02

TAB. 101

| ARTICOLO ARTICLE | Ø H | GOLE GROOVES GORGES RILLEN | Ø FUNE Ø ROPE | A | CARICO MAX MAX. LOAD CHARGE MAXIMUM HÖCHSTLAST | B | C |
|---------------------|-----|-------------------------------------|------------------|----|---|-----|----|
| T101533000 | 360 | 3 | 9 | 60 | 3100 daN (Kg) | 135 | 50 |
| T101534000 | 360 | 4 | 9 | 77 | 3100 daN (Kg) | 135 | 50 |
| T101535000 | 400 | 3 | 10 | 60 | 3100 daN (Kg) | 135 | 50 |
| T101536000 | 400 | 4 | 10 | 77 | 3100 daN (Kg) | 135 | 50 |
| T101539000 | 400 | 4 | 10 | 77 | 3100 daN (Kg) | 140 | 55 |
| T101537000 | 450 | 3 | 11 | 77 | 3100 daN (Kg) | 135 | 50 |
| T101538000 | 450 | 4 | 11 | 77 | 3100 daN (Kg) | 135 | 50 |

TAB. 100

| ARTICOLO ARTICLE | P | GOLE GROOVES GORGES RILLEN | Ø FUNE | A | CARICO MAX MAX. LOAD CHARGE MAXIMUM HÖCHSTLAST | |
|---------------------|-----|-------------------------------------|--------|----|---|----------|
| | | | Ø ROPE | | | |
| T100399000 | 200 | 2 | 7 | 32 | 200 | daN (Kg) |
| T100402000 | 250 | 2 | 7 | 32 | 260 | daN (Kg) |
| T100403000 | 300 | 2 | 7 | 32 | 330 | daN (Kg) |
| T100404000 | | 3 | | 48 | 380 | |

